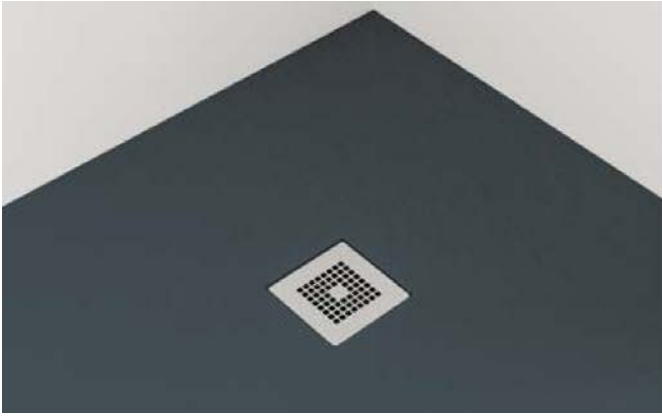


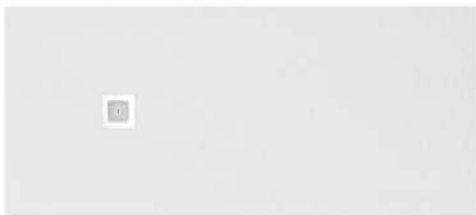
AQUAVIT

QUO





## Quo SolidStone



### Included

- Extra flat shower tray
- Drain
- Stainless steel drain cover
- Installer's manual
- Cardboard packaging

- **No custom cuts or special colors**

### Dimensions

- Widths: 70, 80 & 90 cm
- Lengths of 100, 120, 140, 160, 170 y 180 cm
- Thickness of 2,5 cm
- Weight: 42,5 Kg/m<sup>2</sup>aprox

Dimensional tolerance of ±5 mm

### Texture



Rock

### Product Features

- Completely flat on the bottom
- High impact resistance
- Anti-slip class III (UNE-41901)
- Anti-bacterial, preventing the proliferation of germs
- Totally waterproof
- Repairs are allowed
- Built-in, on the ground or elevated installation
- Recommended adhesive type R-2-T (UNE-12004)
- Sealing with non-acetic silicone

### Finishes



Blanco

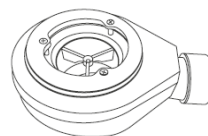


Antracita



Cream

### Drain included

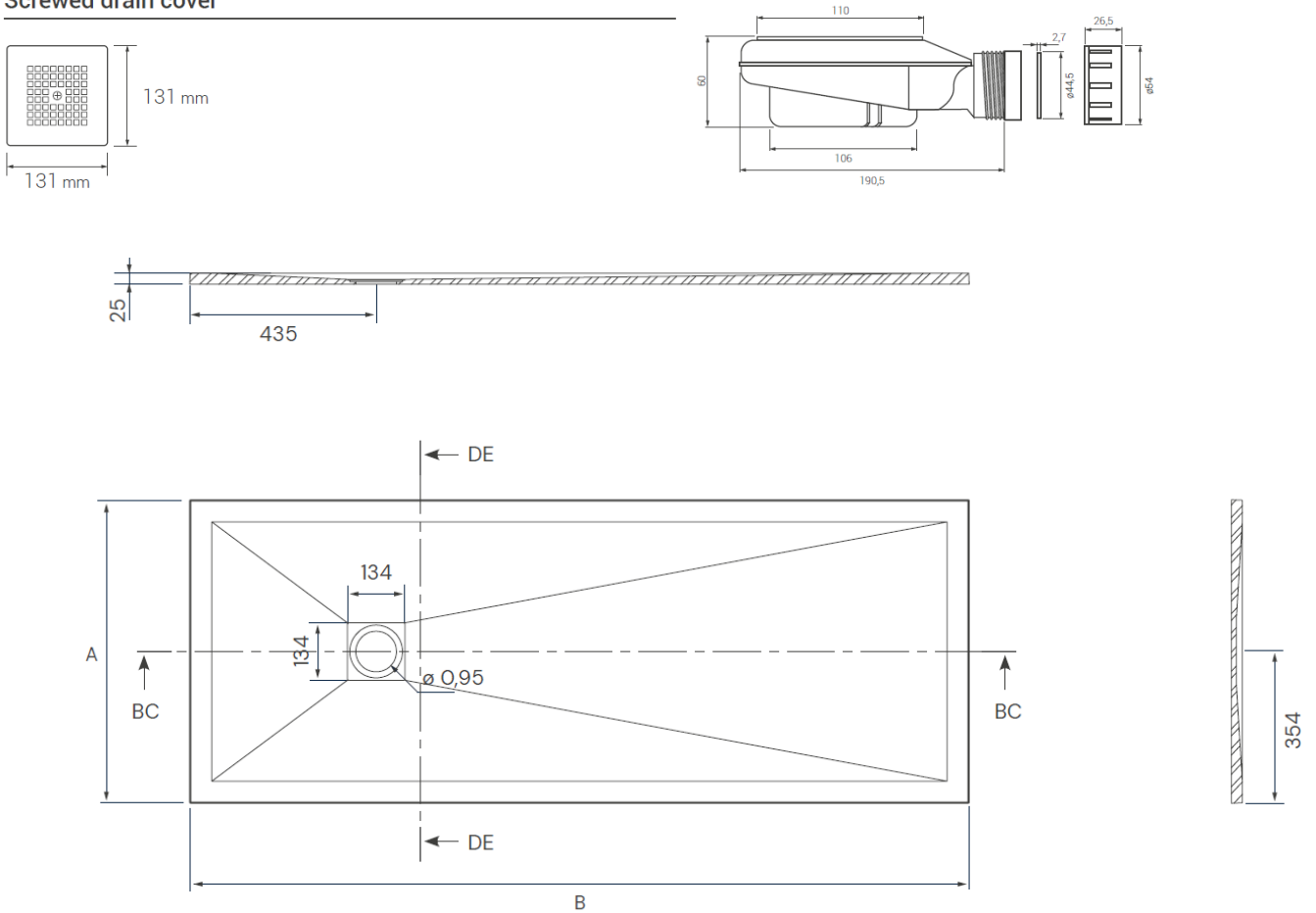


P-HID-DES-016  
Bolted valve

CE

Linear drainage of  
high flow 36 l/min  
(UNE-EN 274-2)

## Screwed drain cover



Measures expressed in mm.

## Other properties

Declared benefits:

Key features	Presentations	Harmonized technical specifications
Cleanliness	Class 1	EN 14527:216
Durability	Class 1	EN 14527:216
Water Evacuation	Correct	EN 14527:216
Stability in the background	Correct	EN 14527:216
Resistance to chemicals and dyes	Correct	EN 14527:216
Resistance to temperature variations	Correct	EN 14527:216
Slip resistance	Class 3	UNE 41901

Chemical resistance:

Chemical product	Test time	Degradation
Bleach	24h	5
Salfumant (clorhidric acid)	24h	5
Mr. Proper	24h	5
Viakal	24h	4
Vinagre	24h	4
Amoniaco	24h	5
KH-7	24h	5
Cillit Bang	24h	5
Acetone	1min	4
Isopropanol	5min	5
Nail polish	24h	4
Medium hair color ink	1h	4
Dark hair color ink	30min	5
Lipstick	24h	5
Oxygenated water	24h	5
Betadine	24h	5

## Important notice

According to the CTE DB-HS, the slope of the shower drainage channels must be a minimum of 2%.

Degradation scale	1	2	3	4	5
	Surface degradation and/or blistering	Significant change in brightness and/or color	Moderate change in brightness and/or color	Slight change in brightness or color, only visible from certain inspection angles	No visible changes

